

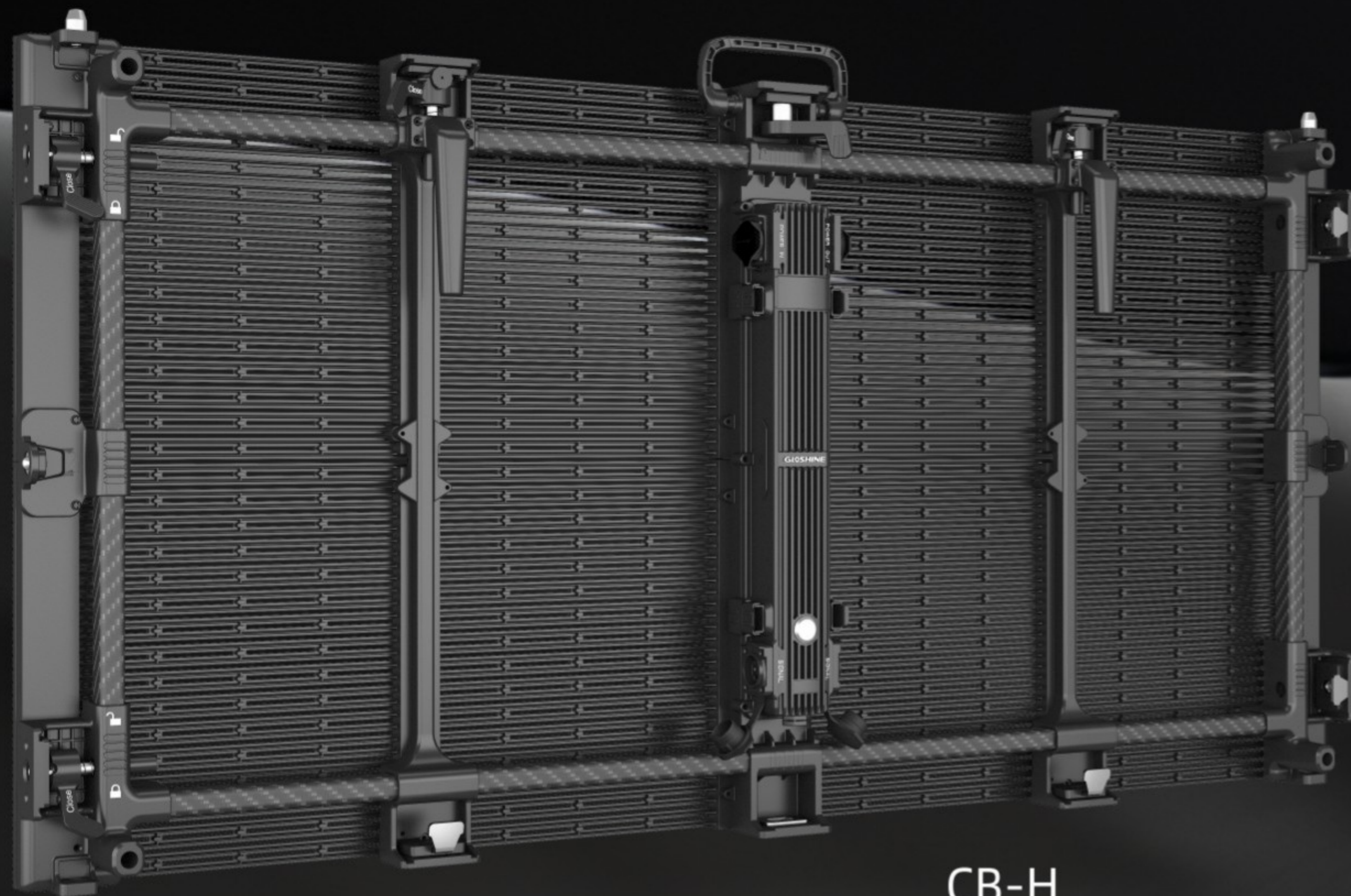
Carbon Series

Carbon fiber ultra-thin HD screen

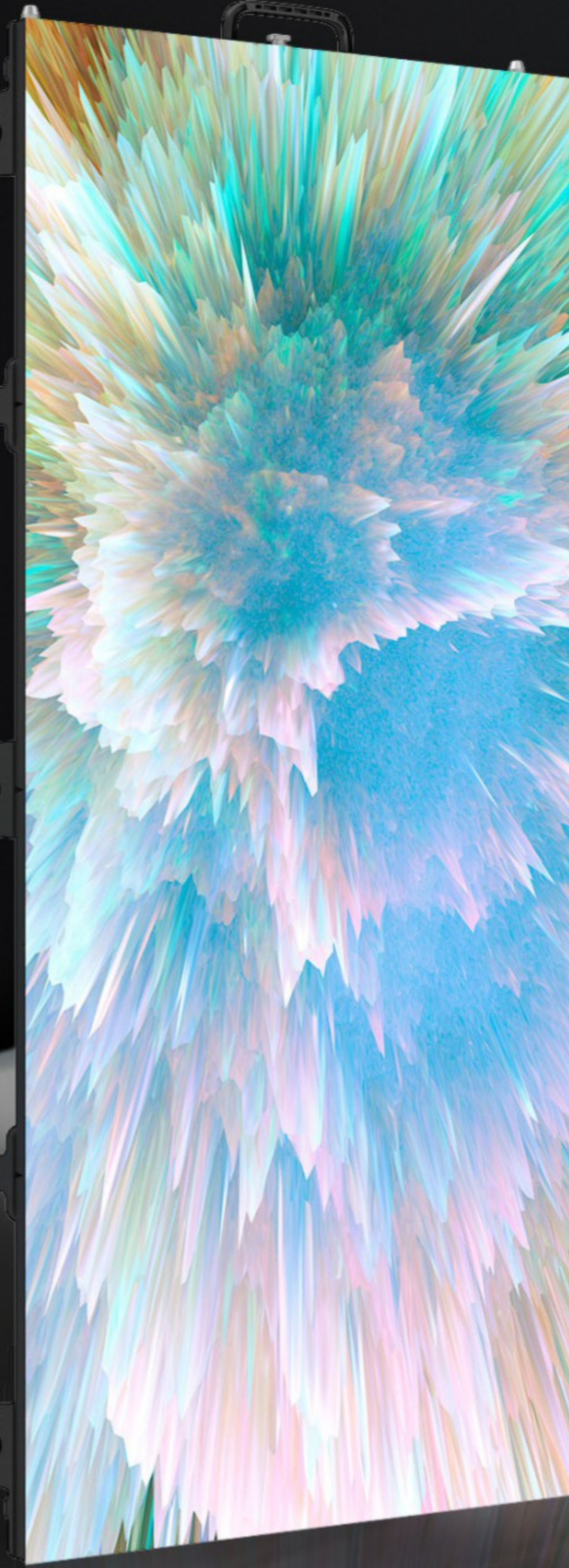
1000mm X 500mm

500mm X 1000mm

500mm X 500mm



CB-H



CB-V

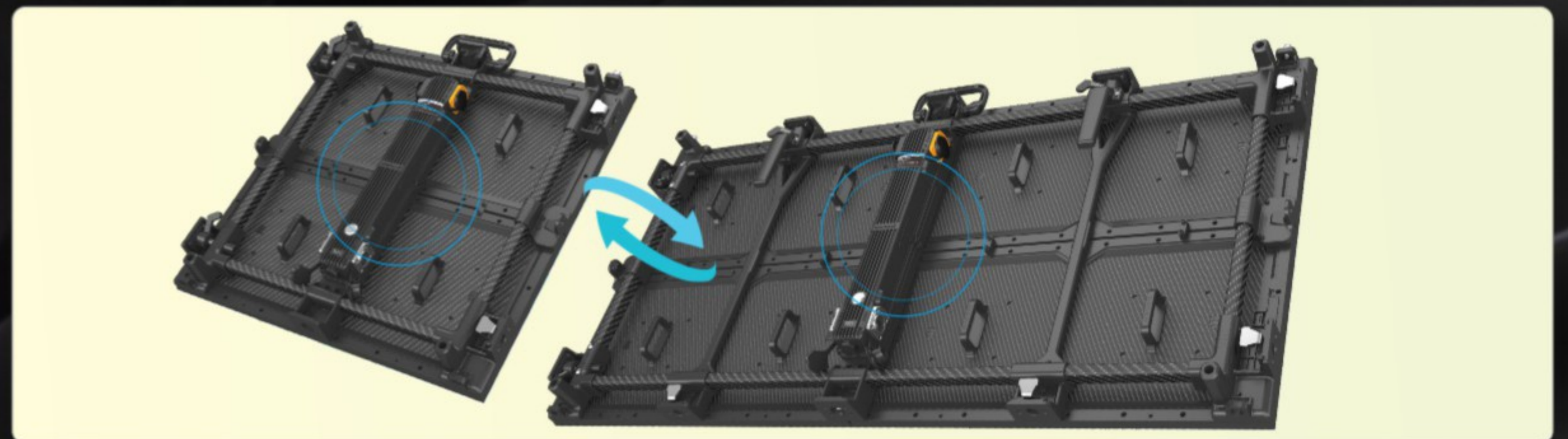


CB-S

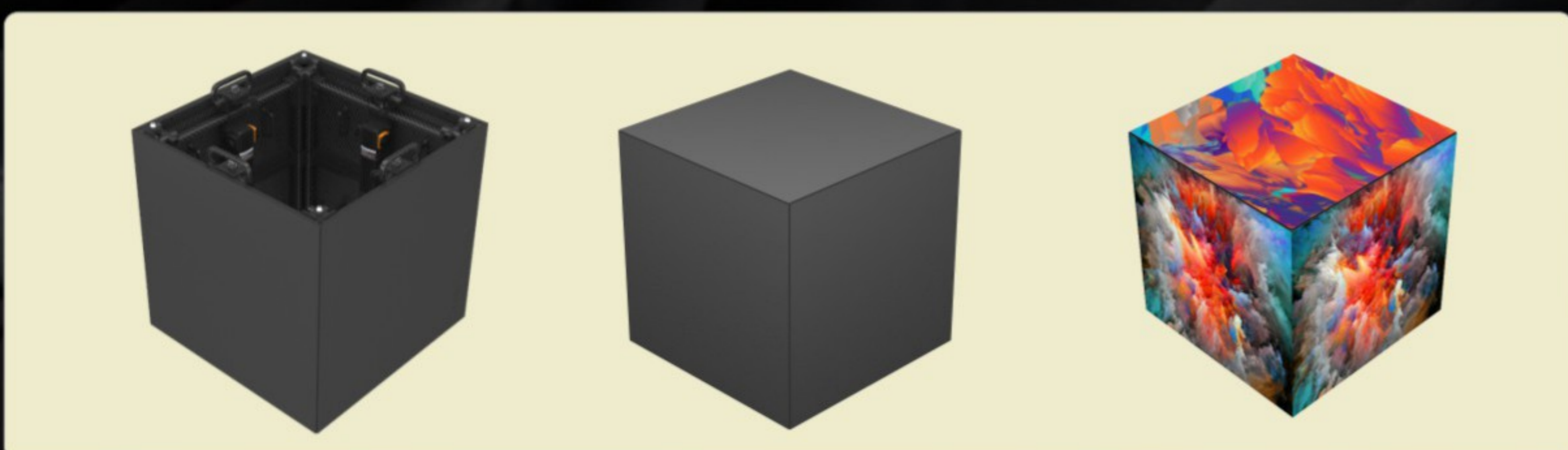
Mix Splicing



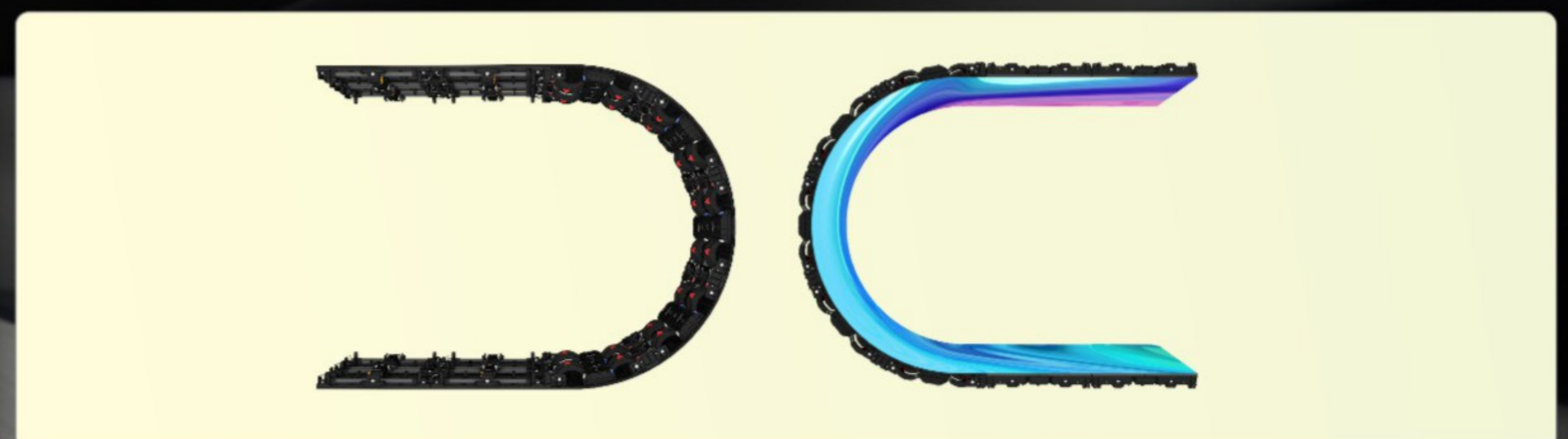
Universal Integrated Back Cover



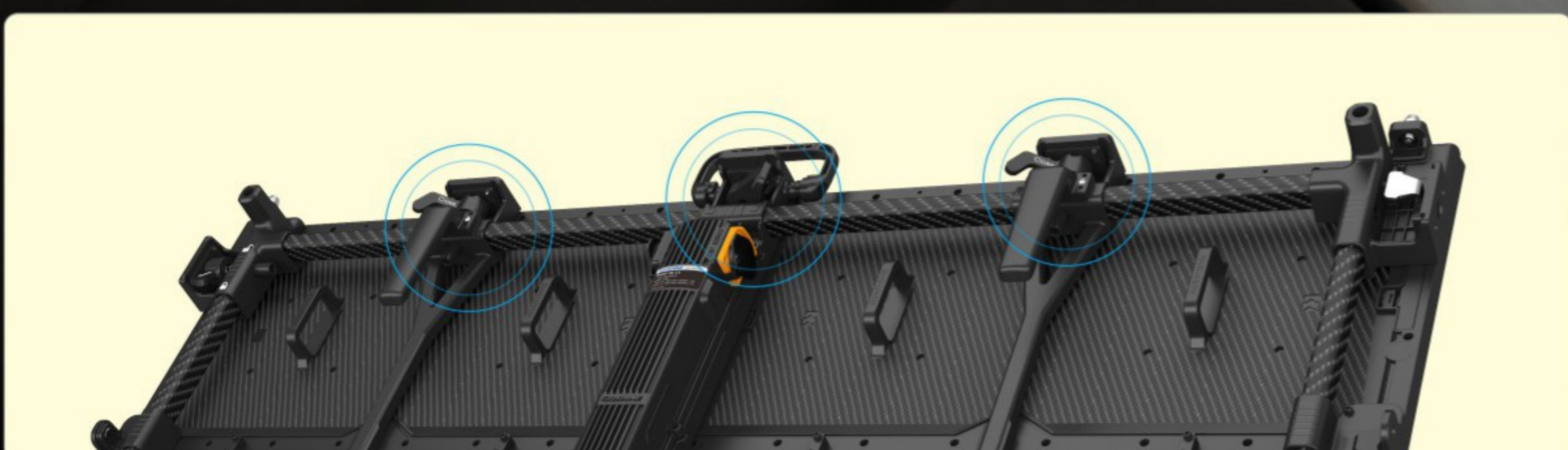
Vertical Angle splicing



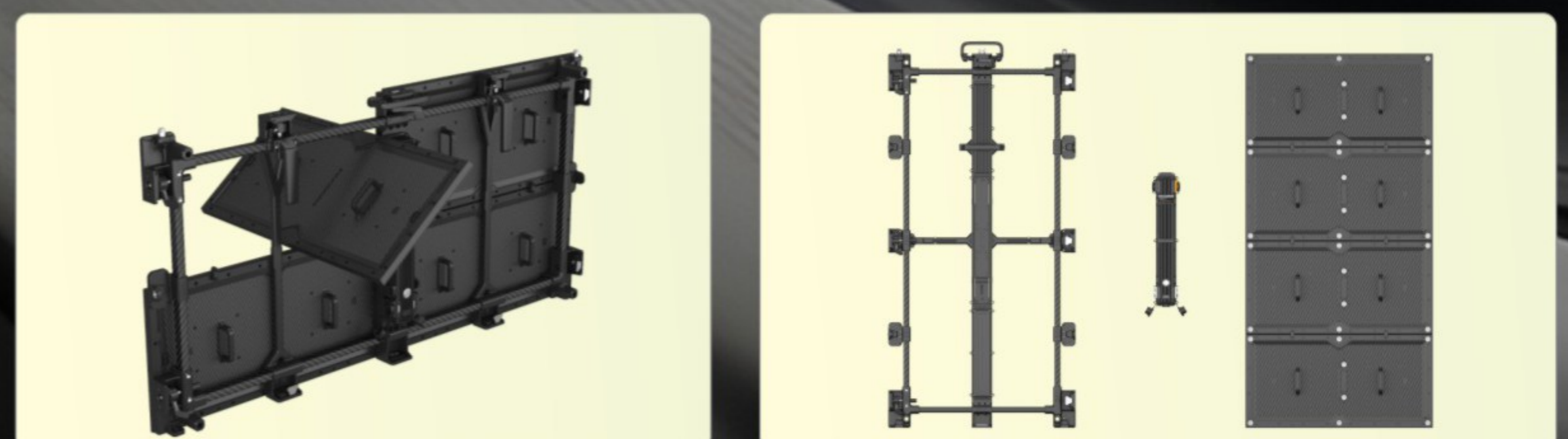
Install with CF Pro、CL Series



Three Hanging Locks Design



Fast Rear Maintenance



Parameter on the back



www.gloshine.com

Carbon Series

Parameters

Model No.	CB 2.6(Indoor)	CB 2.9(Indoor)	CB 3.9(Indoor)	CB 2.9(Outdoor)	CB 3.9(Outdoor)	CB 4.8(Outdoor)	CB 5.2(Outdoor)	CB 3.9-7.8(Outdoor)
Pixel Pitch	2.6mm	2.9mm	3.9mm	2.9 mm	3.9 mm	4.8 mm	5.2 mm	3.9-7.8mm
LED Type	SMD1515	SMD2020		SMD1515	SMD1921			
Pixel Density	147456pixel/m ²	112896pixel/m ²	65536pixel/m ²	112896pixel/m ²	65536pixel/m ²	43264pixel/m ²	36864pixel/m ²	32768pixel/m ²
Brightness	800-1000nits			2500-3000nits	3500-4000nits			2000-2500nits
Color Temperature	6500-9500k							
Scan	1/24	1/21	1/16	1/21	1/16	1/13	1/8	1/16
Panel Dimension	CB-S: 500mm×500mm×74.5mm (19.7"*19.7"*2.93")							
	CB-V: 500mmX1000mm×74.5mm (39.4"*39.4"*2.93")							
	CB-H: 1000mmX500mm×74.5mm (39.4"*19.7"*2.93")							
Panel Resolution	CB-S:192*192pixel	CB-S: 168*168pixel	CB-S: 128*128pixel	CB-S: 168*168pixel	CB-S: 128*128pixel	CB-S: 104*104pixel	CB-S:96*96pixel	/
	CB-V:192*384pixel	CB-V: 168*336pixel	CB-V: 128*256pixel	/	CB-V: 128*256pixel	CB-V: 104*208pixel	CB-V:96*192pixel	/
	CB-H:384*192pixel	CB-H: 336*168pixel	CB-H: 256*128pixel	/	CB-H: 256*128pixel	CB-H: 208*104pixel	/	CB-H:256*64pixel
Panel Weight	CB-S: 4.9kg(11.02lb)±10% CB-V: 8.5kg(18.73lb)±10% CB-H :8.2kg(18.07lb)±10%							6.5kg(14.33lb)±10%
Cabinet Material	Carbon & Die Casting Cabinet							
Max. Power Consumption	≤580W/m ²							
Ave. Power Consumption	≤290W/m ²							
Viewing Angle	H:160° V:140°			H:160° V:140°				
Refresh Rate	1920Hz/3840Hz/7680Hz			1920Hz/3840Hz/7680Hz				
Gray Scale	14-16bit			14-16bit				
IP Rating	IP30			Front IP65, Rear IP54				
Radian	Optional			Optional				
Max. Stacking/Hanging	10m			10m				
Lifetime	50,000hrs			50,000hrs				
Operating Temp/Humidity	-20°C ~ +45°C; 10%-60%RH			-20°C ~ +45°C; 10%-90%RH				
Storage Temp/Humidity	-40°C ~ +60°C; 10%-60%RH			-40°C ~ +60°C; 10%-60%RH				

*Product parameters are for reference only. *Products are subject to upgrades or changes without prior notice. *The final interpretation right of products is reserved by Gloshine.

SHENZHEN GLOSHINE TECHNOLOGY CO.,LTD.

Tel: (86)755-29951691

Fax: (86)755-84419301

http://www.gloshine.com

E-mail: international@gloshine.cn

Add: No, 10, North Fuping Road, Pingdi Town, Longgang district, Shenzhen, China.



Gloshine LED



GloshineLED



gloshinedisplay